



EXPLODED VIEW PARTS LIST

C1K77
QUEST
BREAK BARREL
.177 (4.5mm) cal.

CROSMAN CORPORATION
RT 5 & 20
EAST BLOOMFIELD, NY 14443

Phone: 1-800-724-7486
Parts Order Fax: 585-657-5405

C-C1K77-PL

C1K77

FOR CURRENT PRICES CONTACT CROSMAN CORPORATION AT 800-724-7486

PRINT NUMBER	PART NUMBER	DESCRIPTION
1	C1K77-001	FRONT SIGHT ASSEMBLY
2	C1K77-002	PISTON SEAL
3	C1K77-003	PISTON
4	C5K77-004	BARREL ASSEMBLY
5	C1K77-005	SPRING GUIDE
6	C1K77-006	SIGHT ADJUSTING BOLT
7	C1K77-007	SIGHT ASSEMBLY
8	C1K77-008	BREACH SEAL
9	C1K77-009	SPRING
10	C5K77-010	PISTON SPRING
11	C1K77-011	ALIVE JAM
12	C1K77-012	DETENT
13	C1K77-013	DETENT PIN
14	C1K77-014	COMPRESSION TUBE ASSEMBLY
15	C1K77-015	SPRING GUIDE ASSEMBLY
16	C1K77-016	PIN
17	C1K77-017	TUBE COVER
18	C1K77-018	PIN
19	C1K77-019	BOLT
20	C1K77-020	WASHER
21	C1K77-021	BUSHING
22	C1K77-022	LEVER
23	C1K77-023	GASKET
24	C1K77-024	BOLT
25	C1K77-025	BEARTRAP LEVER
26	C5K77-026	STOCK
27	C1K77-027	BEARTRAP SPRING
28	C1K77-028	BOLT
29	C1K77-029	TRIGGER PACK ASSEMBLY
30	C1K77-030	PIN
31	C1K77-031	TRIGGER GUARD
32	C1K77-032	SCREW, TRIGGER GUARD FRONT
33	C1K77-033	SCREW, TRIGGER GUARD REAR
34	C1K77-034	BUTT PLATE
35	C1K77-035	SCREW
36	C1K77-036	STOCK LUG BRACE
37	C1K77-037	REAR SIGHT SPRING
38	C1K77-038	REAR SIGHT SCREW

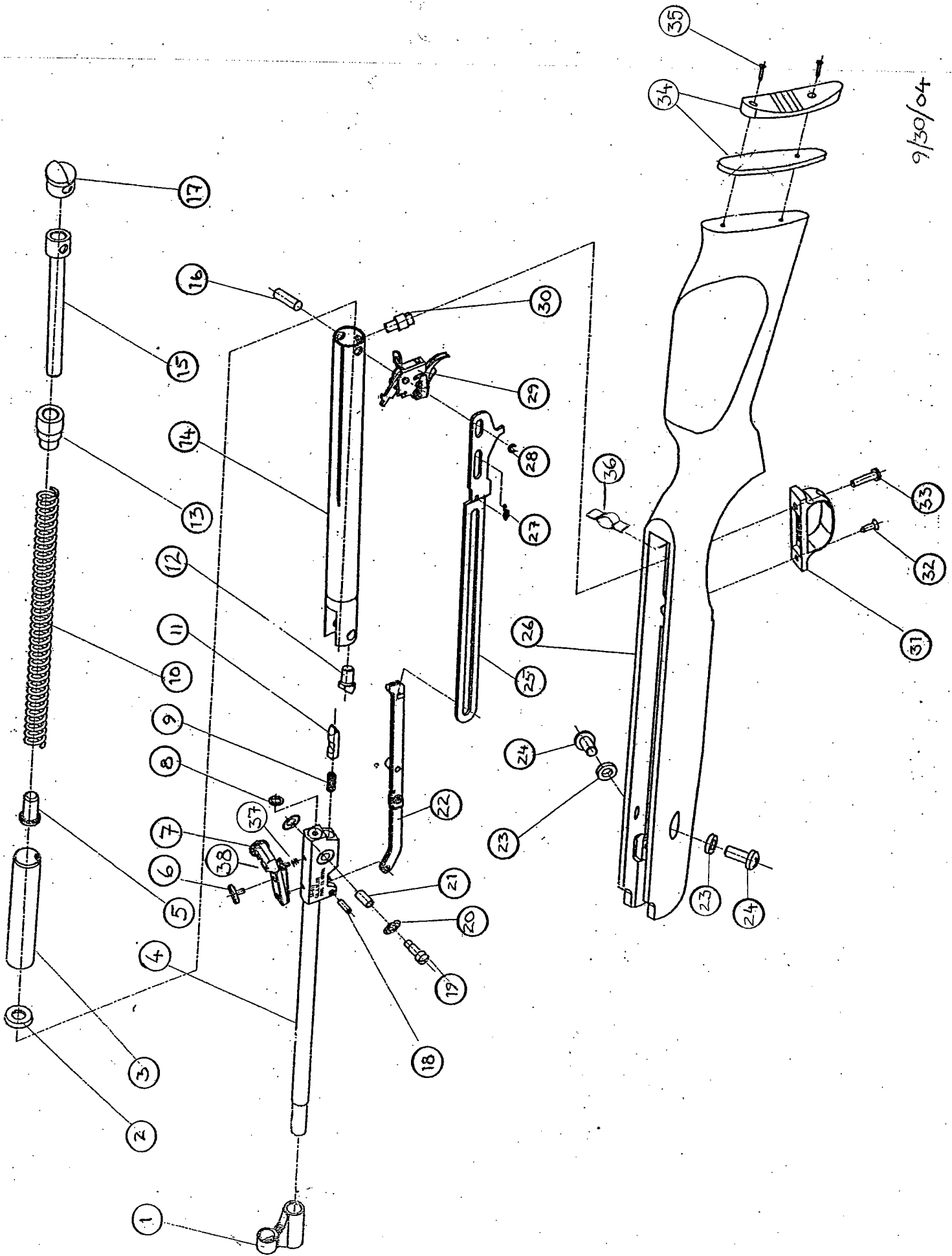
NOTE: THE COMPLETE REAR SIGHT ASSEMBLY INCLUDES; C1K77-007 SIGHT ASSEMBLY, C1K-037 REAR SIGHT SPRING, C1K77-038 REAR SIGHT SCREW, AND C1K77-006 BOLT.

THIS PARTS LIST IS INTENDED TO BE AN INFORMATIONAL GUIDE IN ORDERING PARTS. IT IS NOT INSTRUCTIONAL MATERIAL AND WE THEREFORE ASSUME NO RESPONSIBILITY FOR THOSE WHO USE SAME WITHOUT PROPER FACTORY TRAINING.

PLEASE ORDER BY PART NUMBER AND DESCRIPTION

CHECK OR MONEY ORDER FOR THE TOTAL PRICE MUST ACCOMPANY THE ORDER

UPDATED 9/13/04



9/30/04